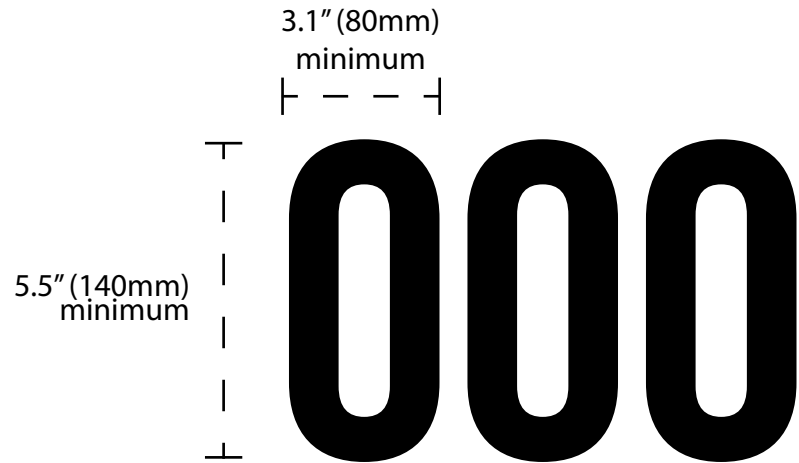
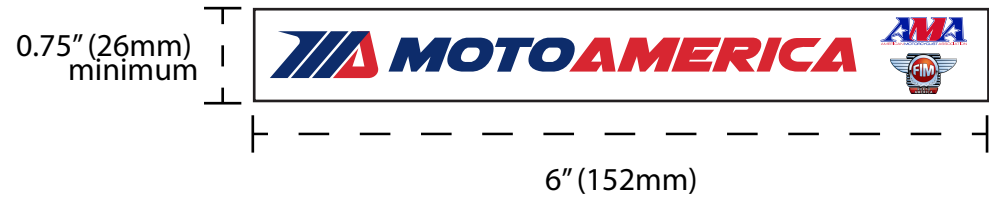
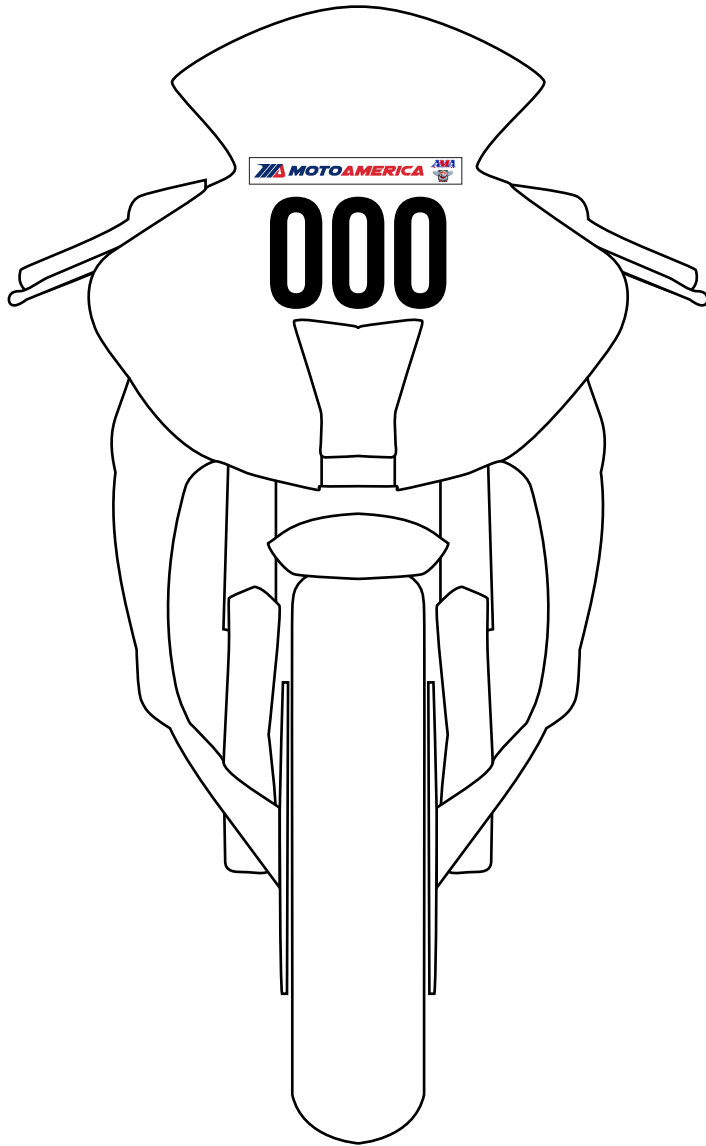
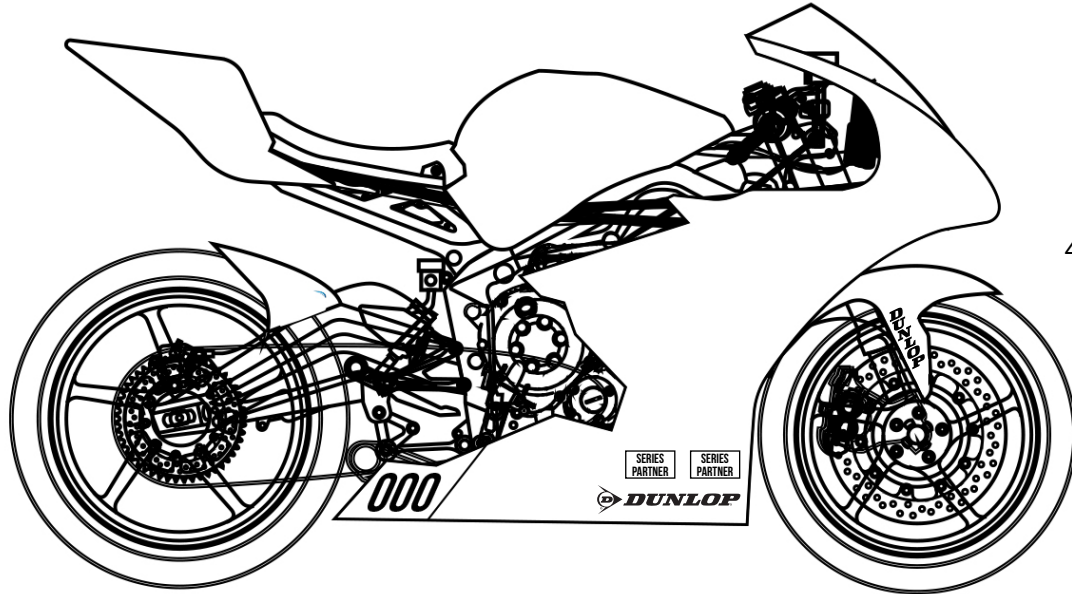




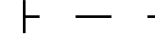
2021 SEASON
NUMBER AND MOTORCYCLE LOGO GUIDELINE
COMPETITOR BULLETIN 02-2021



* minimum stroke is 0.75" (20mm)
** minimum space between numbers is 0.40" (10mm)



2.75" (70mm)
minimum



4.75" (120mm)
minimum

000

* minimum stroke is 0.75" (20mm)
** minimum space between numbers is 0.40" (10mm)

2.5" (63mm)
minimum



3" (76mm)

2.5" (63mm)
minimum



4" (101mm)

2.5" (63mm)
minimum



12" (305mm)

5.5" (140mm)
minimum

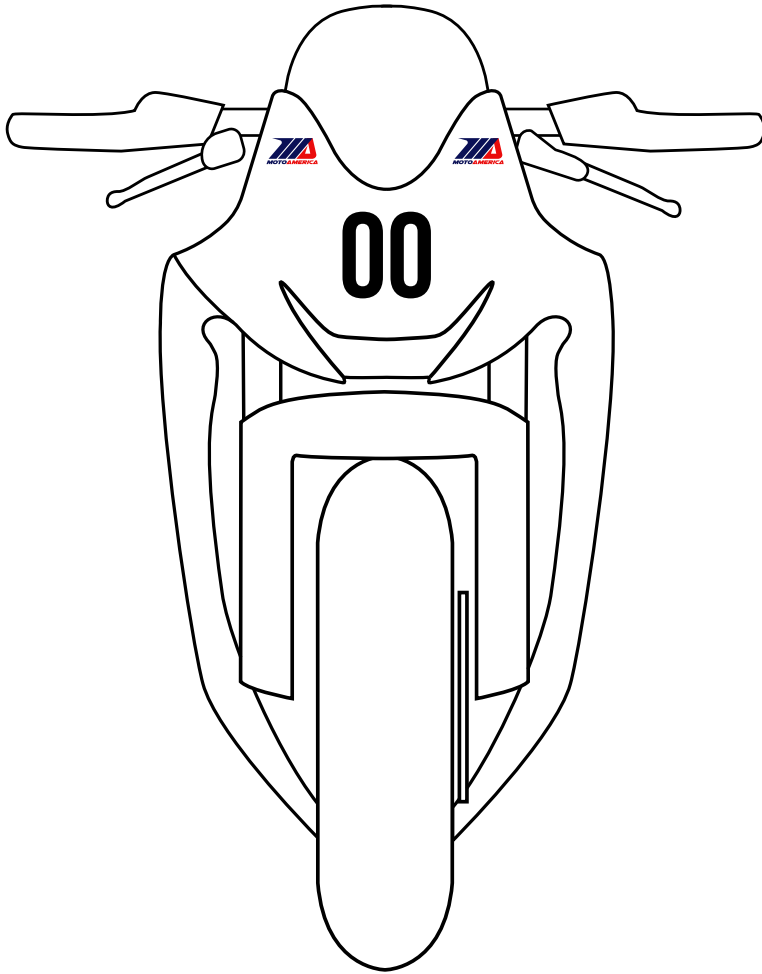


1.67" (42mm)

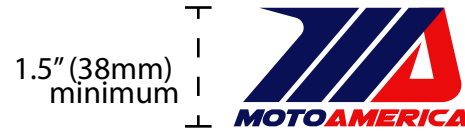


2021 SEASON

NUMBER AND MOTORCYCLE LOGO GUIDELINE - MINI CUP



Top Left

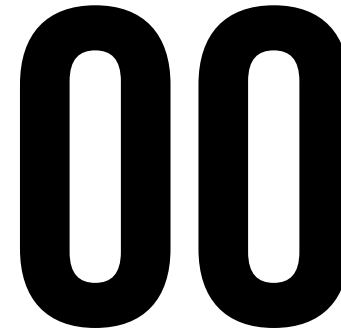


Top Right

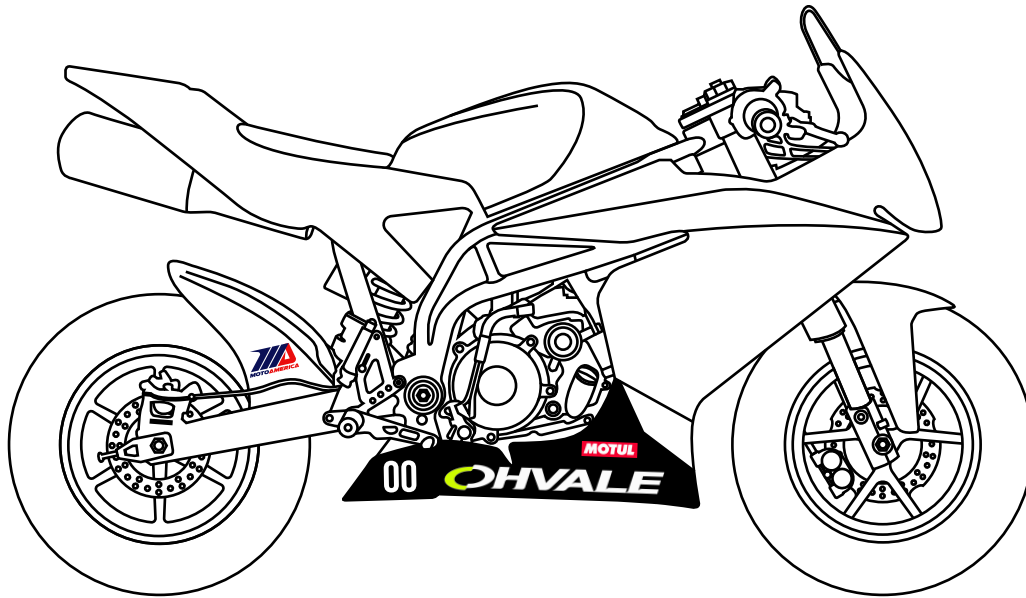


1" (25mm)
minimum

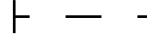
3" (76.2mm)
minimum



* minimum stroke is 0.75" (20mm)
** minimum space between numbers is 0.40" (10mm)



1" (25mm)
minimum



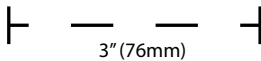
00

3" (76.2mm)
minimum



* minimum stroke is 0.75" (20mm)
** minimum space between numbers is 0.40" (10mm)

MOTUL

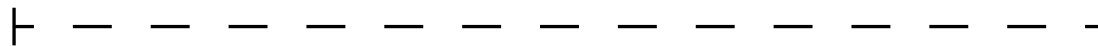


3" (76mm)

1.5" (38mm)
minimum



OHVALE



12" (305mm)

* Black border added for display purposes only. Decal is white/green text only

Alterations on the Ohvale logo placement/size must have written approval from officials (contact Brandon Cretu)